

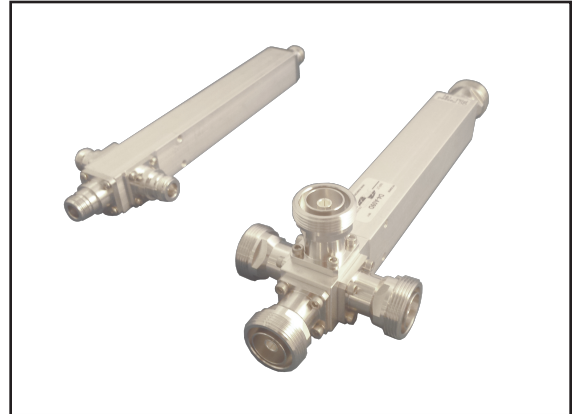


-DAS- Power Dividers, Low Loss-High Power

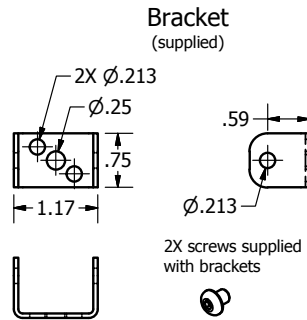
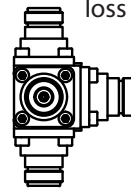
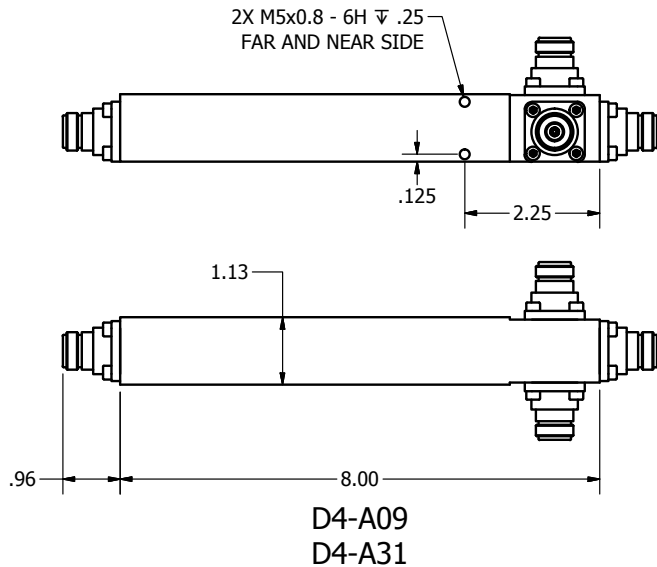
Made in USA. 2, 3, and 4 way Type N, 4.1-9.5 & 4.3-10.0 MINIDIN, and 7-16 DIN

Common Specifications	
Frequency Range:	380 - 2700 MHz, All Ports pass D.C.
PIM (2x43 dBm Carrier):	160 dBc
Minimum Isolation (dB):	N/A
Max Input Power, as a divider:	300 Watts, with 3:1 Max Load VSWR all ports
Temperature:	-20 to +70 °C
Finish:	Triplate Connectors, Clear Iridite Body
Environment:	IP65

General outline, may not be accurate for all units
Contact Sales for an up-to-date outline drawing



R&D Microwaves 2, 3, and 4 way Power Dividers are designed to evenly split high power cellular signals with minimal reflections or loss. Rugged construction and excellent performance from 376-2700 MHz makes it ideal for in-building systems. Each model meets an IP65 environment rating. With no solder joints and air dielectric, the loss has been minimized and reliability enhanced.



Notes:

(1) VSWR not specified between 540-698 MHz and 1270-1550 MHz (2) Add Loss due to Division for Total Path Loss

Frequency (MHz)	Model				Type	No. Outputs	VSWR Max	Insertion Loss (dB) Max ⁽²⁾	Loss due to Division
	Type N	4.1-9.5 MINIDIN	4.3-10.0 MINIDIN	7-16 DIN					
380-2500	D2-A02	D2-A01D41	D2-A01D43	D2-A01	1x2	2	1.25:1	0.15	3.0
600-2700	D2-A08	D2-A09D41	D2-A09D43	D2-A09	1x2	2	1.20:1	0.15	3.0
698-2700	D2-A70N	D2-A70D41	D2-A70D43	D2-A70D	1x2	2	1.15:1	0.15	3.0
376-2700	D2-A79N	D2-A79D41	D2-A79D43	D2-A79D	1x2	2	1.25:1	0.20	3.0
380-2200	D3-A21N	D3-A21D41	D3-A21D43	D3-A21D	1x3	3	1.20:1 ⁽¹⁾	0.15	4.8
600-698 698-2700	D3-A05	D3-A05D41	D3-A05D43	D3-A05D	1x3	3	1.3:1 1.15:1	0.15	4.8
376-2700	D3-A28N	D3-A28D41	D3-A28D43	D3-A28D	1x3	3	1.25:1	0.25	4.8
380-2200	D4-A31N	D4-A31D41	D4-A31D43	D4-A31D	1x4	4	1.15:1 ⁽¹⁾	0.20	6.0
600-698 698-2700	D4-A09	D4-A09D41	D4-A09D43	D4-A09D	1x4	4	1.3:1 1.15:1	0.20	6.0
376-2700	D4-A64N	D4-A64D41	D4-A64D43	D4-A64D	1x4	4	1.25:1	0.25	6.0



R&D Microwaves LLC, 301 Rockaway Valley Road, Boonton, NJ 07005 USA
Tel. 908.212.1696 www.rdmicrowaves.com
email: sales@rdmicrowaves.com



-DAS- Power Dividers, Low Loss-High Power

2, 3, and 4 way Type N, 4.1-9.5 & 4.3-10.0 MINIDIN, and 7-16 DIN

