

Features

- ▶ Microprocessor Controlled
- ▶ Supervises NET B Data Line Riser
- ▶ No Field Wiring Required
- ▶ Used for Style 6 or 7 (Class A) Network Applications
- ▶ Terminates NET B Data Line

Description

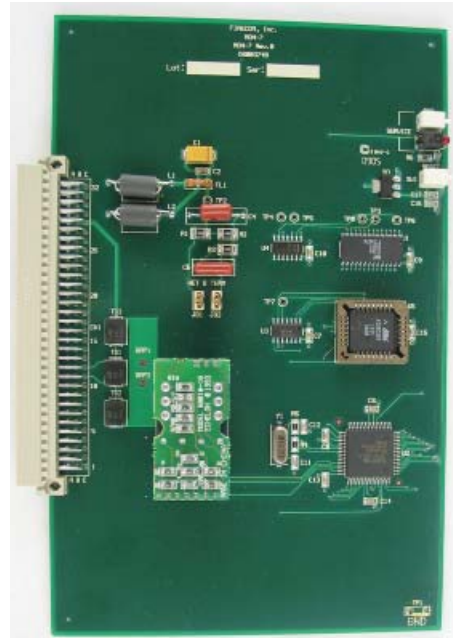
The MON-7 Monitor Card is required when the LSN 2000 system is configured for Style 6 or Style 7 (Class A) Network wiring. The MON-7 is installed in the last ITC-2000, ITC-2001 or DAB-7 Motherboard on the NET B data line riser. The Monitor Card provides supervision for the NET B data line by answering polls from the CP-40 or GCP-70 Control Panel module on the NET B data line only. The MON-7 contains termination jumpers to terminate the NET B data line and occupies one node address in the system.

Application

The MON-7 Monitor Card is used to supervise the NET B data line riser. The NET B data line riser is used when the system is configured for Style 6 or 7 (Class A) Network Data Line wiring. Install the MON-7 in last ITC-2000, ITC-2001 or DAB-7 Motherboard on the NET B Data Line riser.

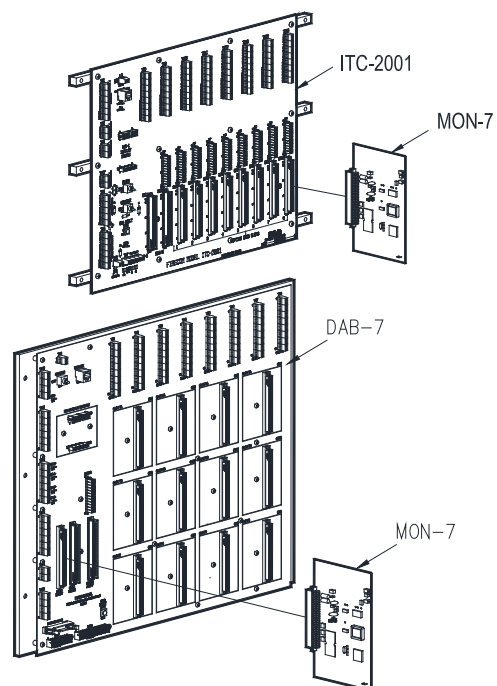
Approvals and Listings

Underwriters Laboratories (File No. S2184)
NYC MEA (MEA No. 32-95-E)



Installation

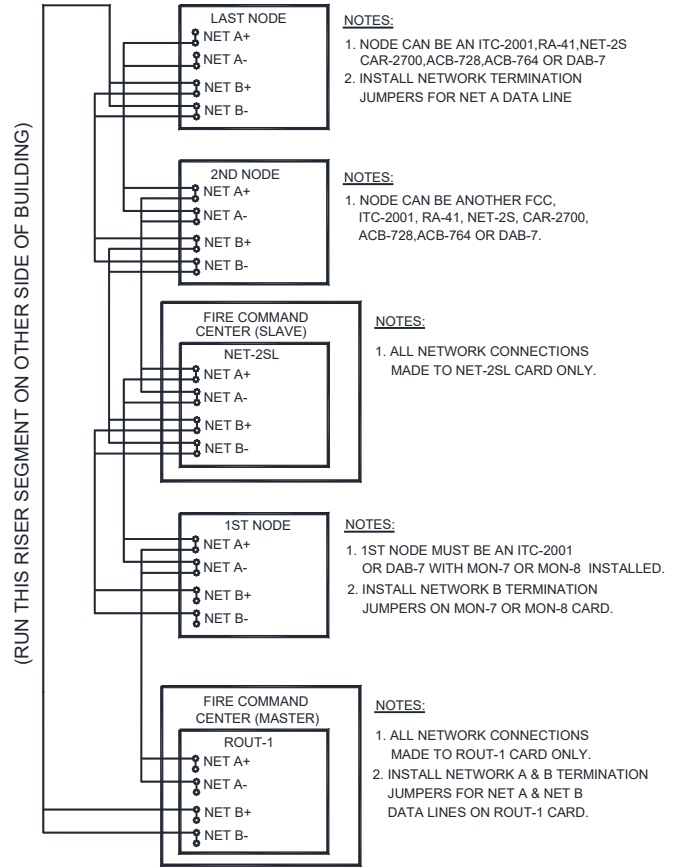
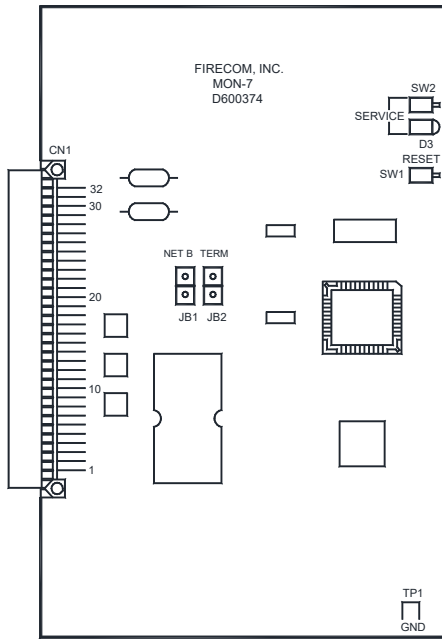
The MON-7 Monitor Card installs in any of the eight Option Slots in a ITC-2000 or ITC-2001 Motherboard. On the DAB-7 Motherboard it installs in MON-7 connector CN13.



Engineering Specifications

The MON-7 Monitor Card shall be used when Style 6 or Style 7 (Class A) Network applications is required. The Monitor Card shall be installed in the last ITC or DAN cabinet on the NET B data line. It shall supervise the NET B data line and transmit its status to the CP-40 or GCP-70 Control Panel Module. The MON-7 shall also contain termination jumpers to terminate the NET B data line riser.

Wiring Connection



STYLE 6 OR STYLE 7 (CLASS A)
NETWORK DATA LINE RISER WIRING DIAGRAM

Electrical Specifications

Operating Voltage	24VDC
Operating Current	8mA
Operating Temperature	0°C to 49°C
Operating Relative Humidity Range	0% to 93% @ 32°C

Ordering Information

Model No.	Part No.	Description
MON-7	71936	Monitor Card

It is our intention to keep the product information up to date and accurate. We cannot cover all specific applications or anticipate all requirements. All specifications are subject to change without notice. For more information contact: FIRECOM, INC.

FIRECOM™, INC.
39-27 59th Street
Woodside, NY 11377
718.899.6100 TEL
718.899.1932 FAX



FIRECOMINC.COM

72113
Rev 170101
2 of 2