

Features

- ▶ Data Riser Termination Board for Style 6 or Style 7 Wiring
- ▶ Microprocessor Controlled
- ▶ Echelon® LonTalk® Communications
- ▶ Low Power Consumption
- ▶ 1/2 Module Footprint



Description

The ROUT-1 Network Router Board is used to provide Style 6 or Style 7 Network Riser wiring in the LSN 2000 system. It mounts in the Fire Command Center enclosure. The NET A and NET B Network Risers lines are wired to the ROUT-1 Network Router Card instead of the OCP-500 Output Connector Panel. All wiring to the ROUT-1 is supervised and power limited. The ROUT-1 can drive up to 64 nodes. Additional Network Router Boards can be installed in a system if more than 64 nodes are used. Additional ROUT-1 boards will then act as repeaters.

Approvals and Listings

Underwriters Laboratories (File No. S2184)
NYC MEA (MEA No. 32-95-E)
California State Fire Marshal (7170-1496:100)

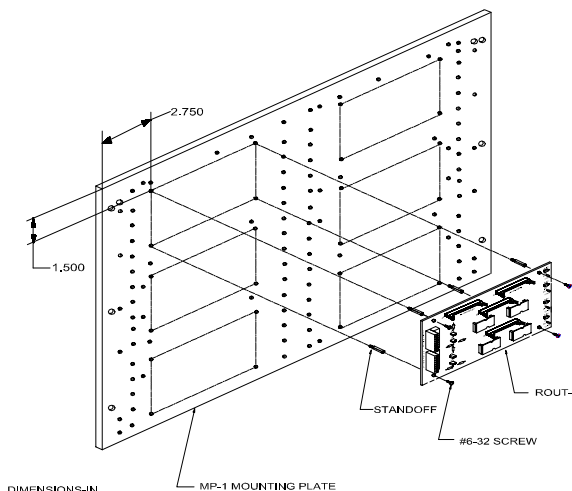


Application

For applications where Style 6 or Style 7 wiring is required on the Data Lines in a facility, the ROUT-1 Network Router Board is required. The ROUT-1 is typically installed in the Fire Command Center where the Network Riser lines originate.

Installation

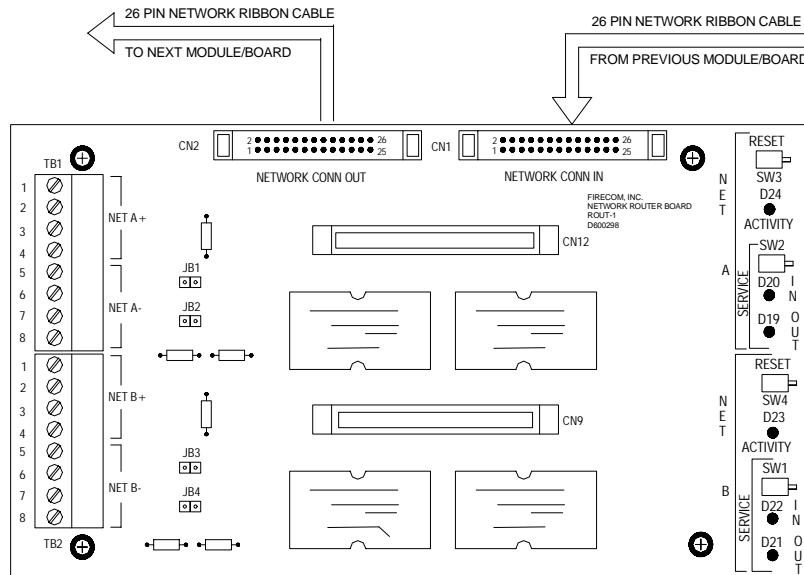
The ROUT-1 Network Router Board mounts to the MP-1 Mounting Plate.



Engineering Specifications

The ROUT-1 Router Card shall be used in a Style 6 or Style 7 network riser system. It shall provide terminals for the electrical contractor to terminate the NET A and NET B Network Data Lines. It shall be capable of driving 64 nodes. Additional ROUT-1 boards shall be capable of being installed in the LSN 2000 Life Safety Net System as repeaters if more than 64 nodes are used.

Wiring Connection



Electrical Specifications

Operating Voltage	24VDC
Operating Current	44mA
Operating Temperature	0°C to 49°C
Operating Relative Humidity Range	0% to 85% @ 30° C

Ordering Information

Model No.	Part No.	Description
ROUT-1	70404	Network Router Board

It is our intention to keep the product information up to date and accurate. We cannot cover all specific applications or anticipate all requirements. All specifications are subject to change without notice. For more information contact: FIRECOM, INC.