



Features

- ▶ Microprocessor Controlled
- ▶ Low Power Consumption
- ▶ All Wiring Power Limited
- ▶ Firefighter/Warden Telephone Circuits
- ▶ 8-Style Y or 4-Style Z Telephone Circuits
- ▶ Supports 2-Wire Warden Phones & Jacks
- ▶ Active Zone Indicators

Description

The TCM-8 Telephone Communications Module provides eight Firefighter/Warden Telephone circuits.

The Firefighter/Warden Telephone circuits can be configured as 8 Style Y (Class B) circuits or 4 Style Z (Class A) circuits. Each circuit can communicate with Firefighter Phone Jacks or up to three 2-wire Warden Stations. The telephone circuits are monitored and controlled by the COM-2 Communications card in the DAN-7. When a Firefighter's phone is plugged into a jack or a handset "calls-in", a call-in signal is transmitted to Fire Command Center (FCC). The operator pushes a switch on a Display Control Module at the FCC to establish a communication session between the telephone handset at the FCC and the "called-in" phone. The FCC operator can communicate with up to five simultaneous Firefighter/Warden phones. Call progress tones are presented through the phone handset. When a phone "calls-in", a ring-tone can be heard in the earpiece. If a call cannot be processed, a busy tone will be heard. Once the call is in progress, tones are removed. Activation indicators on the module indicate which circuits are in use and turned on. Upon command of the operator at the FCC, a Warden Phone or a handset plugged into a Firefighter Phone Jack can be enabled to page selected areas of the facility.

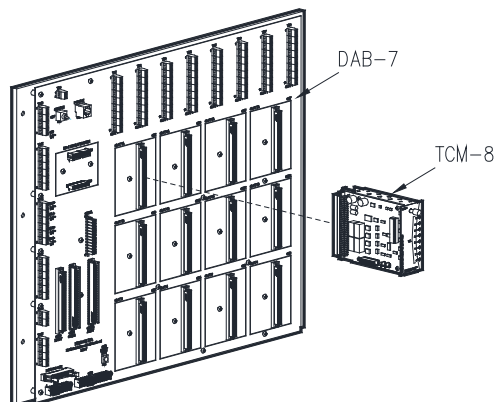
A ground fault on any circuit is automatically detected, and a technician-invoked ground fault isolation test helps in the identification of the circuit that is presenting the ground fault condition.

Application

The TCM-8 is used to communicate with Firefighter Telephone Jacks and 2-wire Warden Phone Stations. Up to five phones can communicate at one time in the LSN 2000 system.

Installation

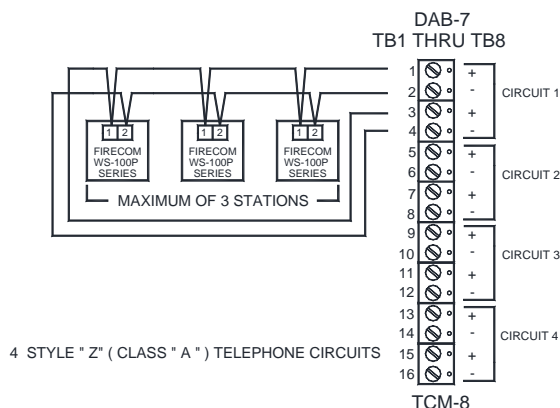
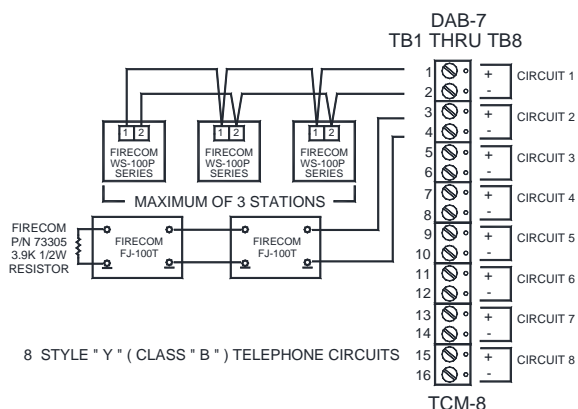
The TCM-8 Telephone Communications Module installs in any of the eight Option Slots in a DAB-7 Motherboard of a DAN-7 Cabinet. Each motherboard is software programmable to allow up to 8 TCM-8 option cards.



Engineering Specifications

The TCM-8 Telephone Communications Module shall contain 8 Style Y (Class B) or 4 Style Z (Class A) telephone circuits. The selection of Style Y or Style Z shall be field selectable. Each phone circuit shall be capable of communicating to Firefighter Phone Jacks or 2-wire Warden Stations with confirmation LED. A ring tone shall be generated on all activated circuits until communications with the Fire Command Center has been established. Indicators on the TCM-8 shall denote circuits with active communication links. The DAB-7 Motherboard of a DAN-7 shall allow up to eight TCM-8 modules to be installed into its option slots.

Wiring Connection



Electrical Specifications

Operating Voltage	24VDC
Operating Current	81mA
Zone Voltage	12.24VDC
Zone Current	3mA
Max Capacitance	1.0 Microfarads
Max Resistance	25 Ohms
Operating Temperature	0°C to 49°C
Operating Relative Humidity Range	0% to 93% @ 32°C

Ordering Information

Model No.	Part No.	Description
TCM-8	73560	Telephone Circuit Module

It is our intention to keep the product information up to date and accurate. We cannot cover all specific applications or anticipate all requirements. All specifications are subject to change without notice. For more information contact: FIRECOM, INC.

FIRECOM™, INC.
39-27 59th Street
Woodside, NY 11377
718.899.6100 TEL
718.899.1932 FAX



FIRECOMINC.COM

73488
Rev 160101
2 of 2